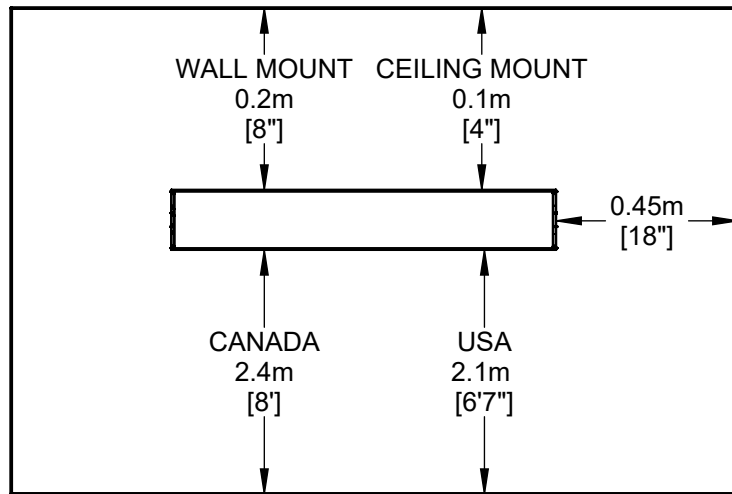
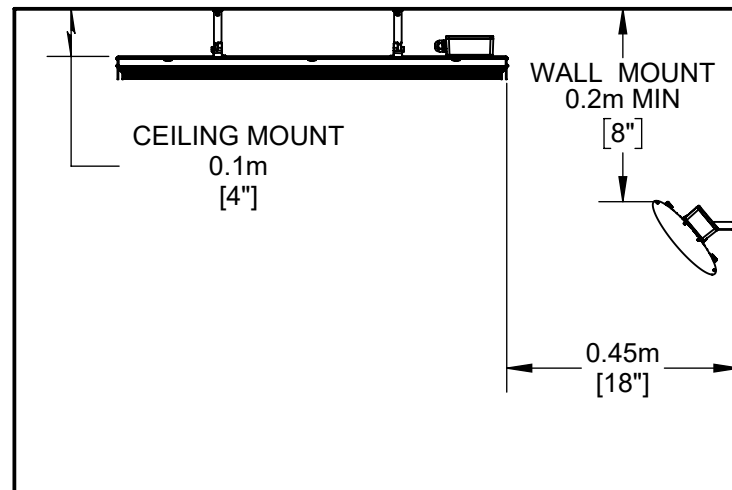


HEATER CLEARANCE REQUIREMENTS

WALL MOUNTED



CEILING MOUNTED



ISOMETRIC VIEW



INCLUDED PARTS

- WALL MOUNT BRACKETS
- BRACKET HARDWARE

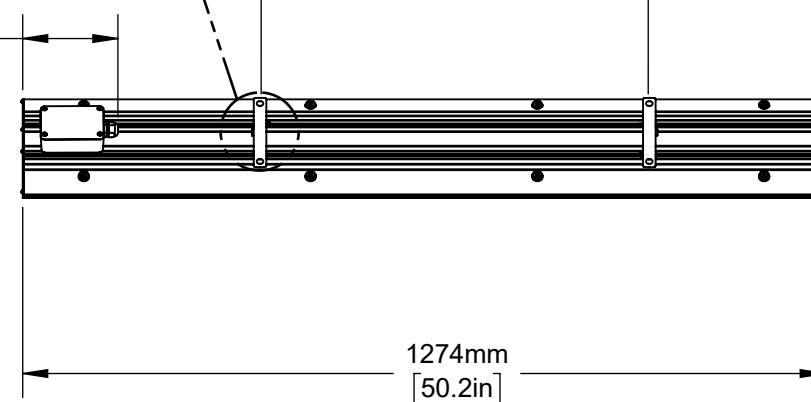
CABLE NOT INCLUDED

MUST BE INSTALLED BY CERTIFIED ELECTRICIAN PER LOCAL CODES OR NEC REQUIREMENTS

HEATER DIMENSIONS

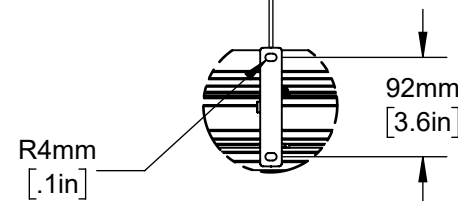
FASTENER PATTERN

151mm
[5.9in]



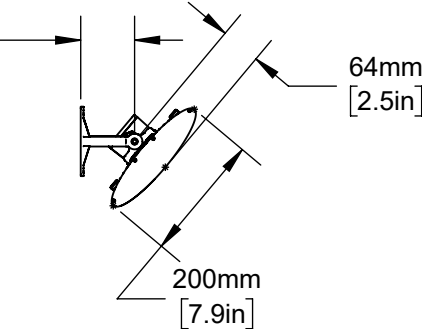
CENTER TO CENTER DISTANCE
VARIABLE BRACKET SPACING
20" MIN - 36" MAX
500mm MIN - 900mm MAX

SLOT WIDTH
4mm
[.1in]



FASTENER PATTERN
SCALE 1 : 7

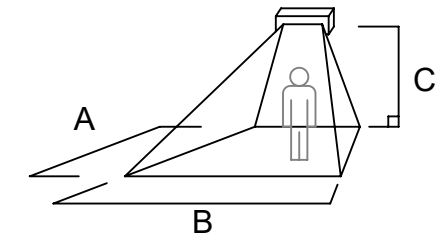
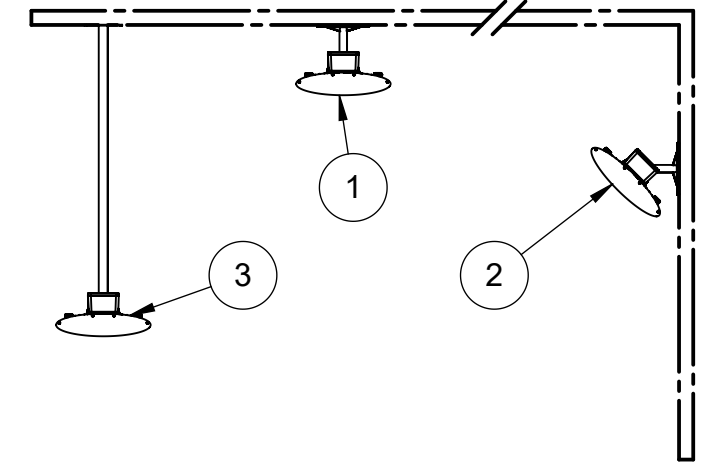
86mm
[3.4in]



SUITABLE MOUNTING CONFIGURATIONS

1. CEILING MOUNTED
2. WALL MOUNTED
3. CEILING SUSPENDED
 - OPTIONAL, BRACKETS SOLD SEPARATELY
 - 12" - DS12EXTC*
 - 24" - DS24EXTC*
 - 48" - DS48EXTC*

*C - SEE CATALOGUE FOR STANDARD COLOUR OPTIONS



MODEL	HEATED SPACE TYPE	A (FEET)	B (FEET)	C (FEET)	HEAT ZONE* (SQUARE FEET)
DS24240	INDOOR	7	9	8	63
	OUTDOOR ENCLOSED	6	8	8	48
	OUTDOOR EXPOSED	5	7	8	35

LONG WAVE HEATERS ARE SUSCEPTIBLE TO WIND LOSSES
FOR MAXIMUM HEATING EFFICIENCY SPECIFY HEATERS IN PROTECTED ENVIRONMENTS
OPTIMUM MOUNTING HEIGHT 8' MEASURED FROM FLOOR TO BOTTOM OF HEATER

LONG WAVE INFRARED HEATERS FOR:

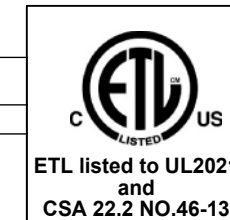
INDOOR USE - RESIDENTIAL, COMMERCIAL AND INDUSTRIAL
OUTDOOR USE - RESIDENTIAL, COMMERCIAL AND INDUSTRIAL
FOR USE IN NON-HAZARDOUS AREAS ONLY
NOT RECOMMENDED IN BREZY ENVIRONMENTS
HEATER MUST BE INSTALLED WITH OVERHEAD COVER

ADDITIONAL SPECIFIER NOTES

NO LIGHT RADIANT HEATER FOR USE IN ENCLOSED OR SEMI-ENCLOSED OUTDOOR SPACES IN MODERATE CLIMATES. INSTALLER, SPECIFIER OR ENGINEER SHOULD TARGET 8' MOUNTING HEIGHT TO BOTTOM OF HEATER FOR OPTIMAL PERFORMANCE

**HEATER SPECIFICATIONS

DESCRIPTION	ITEM/ SKU	WEIGHT (LBS/KG)	240V				208V			
			POWER (WATTS)	HEAT DELIVERED (BTU)	VOLTAGE (VOLTS)	CURRENT (AMPS)	POWER (WATTS)	HEAT DELIVERED (BTU)	VOLTAGE (VOLTS)	CURRENT (AMPS)
AURA DARK SHADOW - 2400W / 240V	DS24240C*	17.5	2400	8200	240	10	1800	6200	208	8.7



SHEET NO. 1 OF 1

A5 2022-11-07

REVISION DATE: YYYY-MM-DD



MODEL
AURA SHADOW - 2400W

SHEET SCALE 1:12 SHEET SIZE 11X17

C* SEE CATALOGUE FOR STANDARD COLOURS **SKU NOTES: ALL HEATERS COME WITH STANDARD 3.4" WALL AND CEILING BRACKETS AND BRACKET HARDWARE | ** SPECIFICATIONS SUBJECT TO CHANGE WITHOUT NOTICE

NOTICE: THIS DOCUMENT IS NOT A SUBSTITUTE FOR APPROVED MANUAL. Failure to follow instruction manual may cause fire, electric shock or injury to persons. Solaira TM is a registered trademark of Inforesight Consumer Products. Customer, contractor specifier and installer understands that some or all products provided by Inforesight Consumer Products Inc. may not be available for purchase or installation in certain jurisdictions or geographical areas. Inforesight Consumer Products Inc. reserves the right, in its sole discretion, to exclude or otherwise limit the provision of any product to a person or entity residing in any jurisdiction or geographical area outside of Canada. Inforesight Consumer Products Inc. provides general product installation guidelines and procedures and Customer, contractor, specifier and installer understands that Customer, contractor, specifier and installer is solely and exclusively responsible for installation of the product and ascertaining all applicable local municipal, provincial, state, and federal NEC (National Electrical Code) rules, by-law, ordinances and guidelines applicable to the installation of any Inforesight Consumer Products Inc. products. Customer contractor, specifier and installer must strictly adhere to and be compliant with the local rules, laws, ordinances and legal requirements for the safe installation and use of any Inforesight Consumer Products Inc. products. Instruction manuals are included with the product packaging and copies of our instruction manuals are available upon request. Under no circumstances shall Inforesight Consumer Products Inc. or its affiliated entities, employees, agents, shareholders, officers or directors be liable to Customer or any third party for any product installations and Customer, contractor, specifier and installer releases Inforesight Consumer Products Inc. from any and all losses, death, personal injury, property damage, other damages, rights, claims, demands and actions of any kind arising from the Customer's installation and use of the product, whether the installation was or was not in accord with the provided instruction manual and/or in compliance with applicable local laws. Solaira products are to be installed by licensed technicians per instruction manuals and to all provincial/state and national (N.E.C.) code requirements; specifications subject to change without notice.