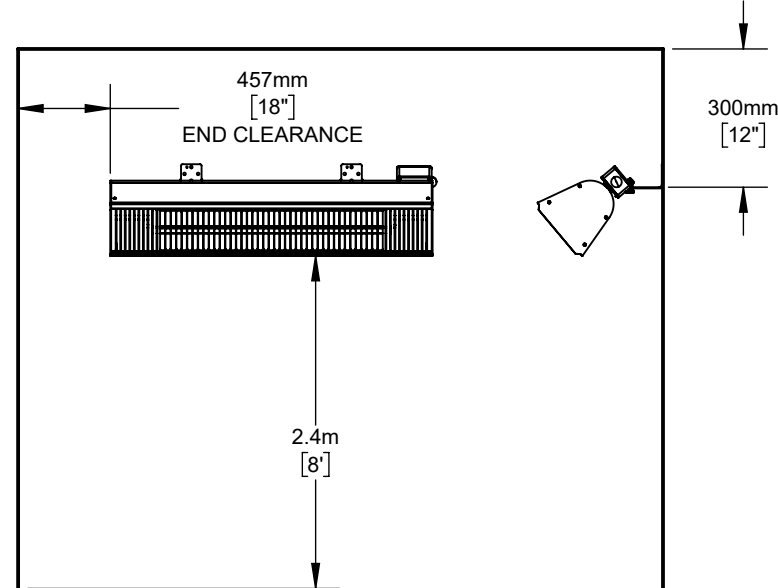


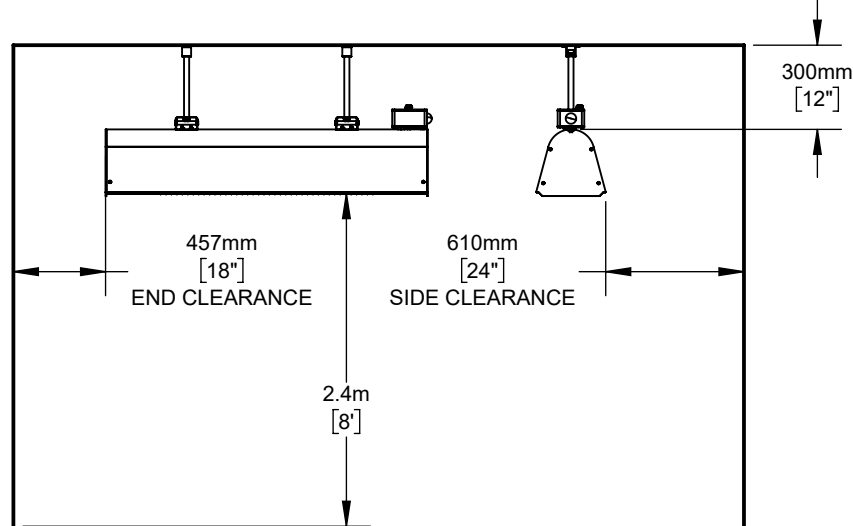
MINIMUM CLEARANCE REQUIREMENTS

WALL MOUNTED

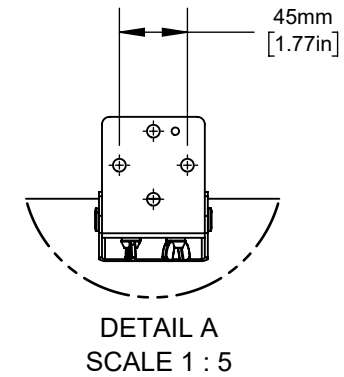
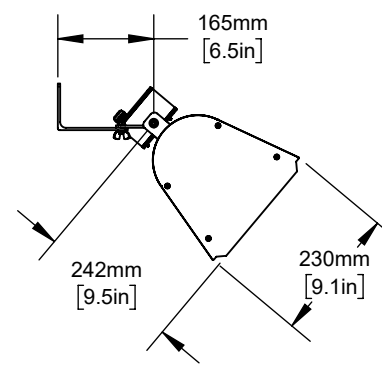
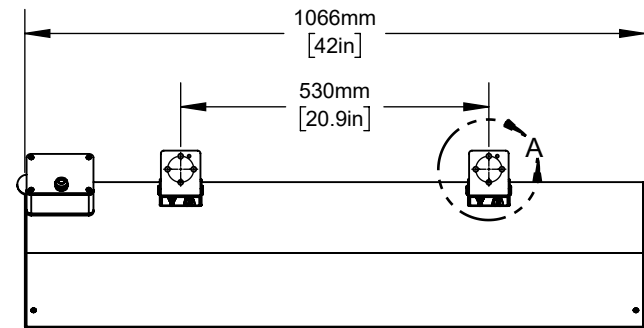


6' FRONTAL CLEARANCE TO FLAMMABLE OBJECTS REQUIRED

CEILING SUSPENDED

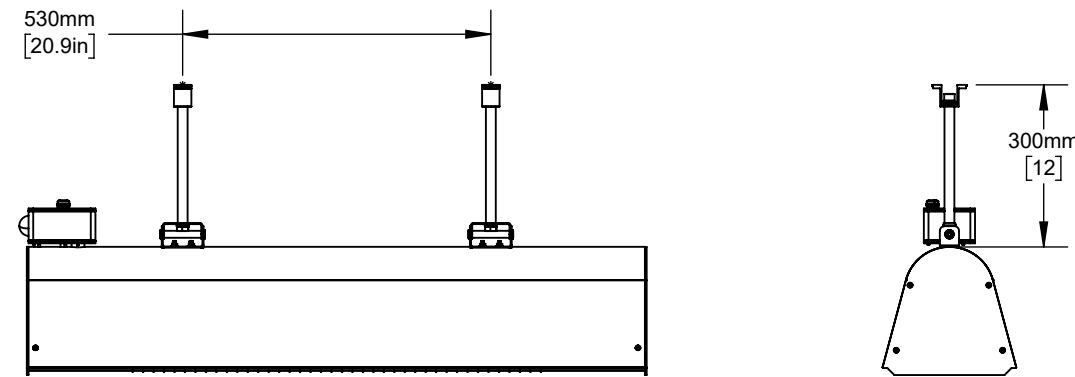


WALL MOUNTED



DETAIL A
SCALE 1 : 5

CEILING SUSPENDED

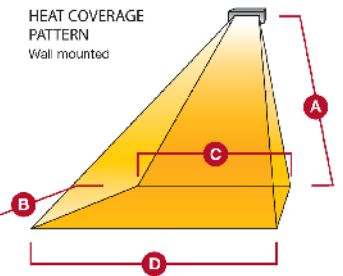
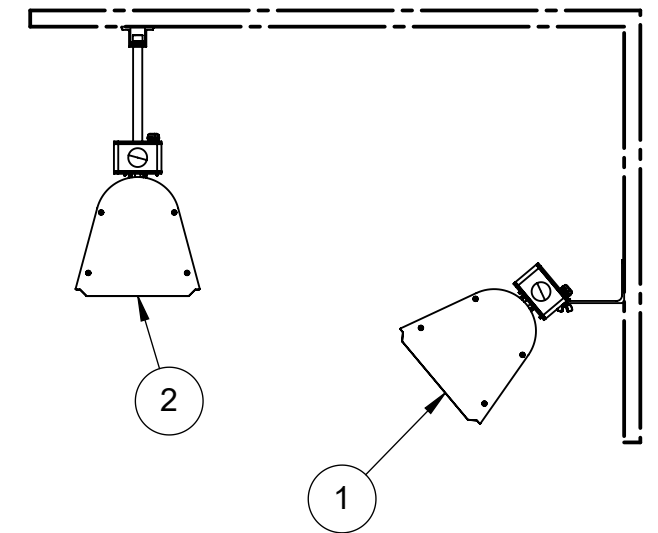


INCLUDED PARTS

- WALL MOUNT BRACKETS
- CEILING SUSPENSION BRACKETS
- BRACKET HARDWARE
- REMOTE CONTROL

SUITABLE MOUNTING CONFIGURATIONS

1. WALL MOUNTED
2. CEILING SUSPENDED



MODEL	MOUNTING CONFIGURATION	A (FEET)	B (FEET)	C (FEET)	D (FEET)	HEAT ZONE* (SQUARE FEET)	HEAT DENSITY* (WATTS/ SQUARE FEET)
CF40240	WALL MOUNTED	8'	11	10	12	140	29
CF60240	WALL MOUNTED	8'	12	12	13	160	37.5

⚠ MEDIUM WAVE INFRARED HEATERS FOR:
INDOOR USE - RESIDENTIAL (1500W ONLY*), COMMERCIAL AND INDUSTRIAL
OUTDOOR USE - RESIDENTIAL, COMMERCIAL AND INDUSTRIAL
FOR USE IN NON-HAZARDOUS AREAS ONLY
 HEATERS INCLUDE IP 65 RATING AND ARE APPROVED FOR OUTDOOR USE

**HEATER SPECIFICATIONS

DESCRIPTION	ITEM/ SKU	WEIGHT (LBS/KG)	240V							208 V						
			POWER (WATTS)	HEAT DELIVERED (BTU)	VOLTAGE (VOLTS)	CURRENT (AMPS)	MINIMUM MOUNTING HEIGHT (INCH/cm) (Y1)	CEILING CLEARANCE (INCH/cm) (Y2)	SIDEWALL CLEARANCE (INCH/cm) (X)	POWER (WATTS)	HEAT DELIVERED (BTU)	VOLTAGE (VOLTS)	CURRENT (AMPS)	MINIMUM MOUNTING HEIGHT (INCH/cm) (Y1)	CEILING CLEARANCE (INCH/cm) (Y2)	SIDEWALL CLEARANCE (INCH/cm) (X)
AURA CARBON - 4000W / 240V	CF40240*	TBD	4000	13600	240	16.7	96/240	12/30	40/100	3000	10200	208	14.4	96/240	12/30	40/100
AURA CARBON - 6000W / 240V	CF60240*	TBD	6000	20400	240	25	96/240	12/30	59/150	4500	15300	208	21.6	96/240	12/30	59/150



ETL listed to UL2021 and CSA 22.2 46-13



MODEL
AURA CF60240
AURA CF40240

SHEET NO.
1 OF 2

SHEET SCALE
1:13

SHEET SIZE
11X17

**SKU NOTES: ALL HEATERS COME WITH STANDARD 6.5" WALL BRACKETS, REMOTE CONTROL, 18" SUSPENSION BRACKETS AND BRACKET HARDWARE | ** SPECIFICATIONS SUBJECT TO CHANGE WITHOUT NOTICE |

NOTICE: THIS DOCUMENT IS NOT A SUBSTITUTE FOR APPROVED MANUAL. Failure to follow instruction manual may cause fire, electric shock or injury to persons. AURA TM is a registered trademark of Inforesight Consumer Products. Customer, contractor specifier and installer understands that some or all products provided by Inforesight Consumer Products Inc. may not be available for purchase or installation in certain jurisdictions or geographical areas. Inforesight Consumer Products Inc. reserves the right, in its sole discretion, to exclude or otherwise limit the provision of any product to a person or entity residing in any jurisdiction or geographical area outside of Canada. Inforesight Consumer Products Inc. provides general product installation guidelines and procedures and Customer, contractor, specifier and installer understands that Customer, contractor, specifier and installer is solely and exclusively responsible for installation of the product and ascertaining all applicable local municipal, provincial, state, and federal NEC (National Electrical Code) rules, by-law, ordinances and guidelines applicable to the installation of any Inforesight Consumer Products Inc. products. Customer contractor, specifier and installer must strictly adhere to and be compliant with the local rules, laws, ordinances and legal requirements for the safe installation and use of any Inforesight Consumer Products Inc. products. Instruction manuals are included with the product packaging and copies of our instruction manuals are available upon request. Under no circumstances shall Inforesight Consumer Products Inc. or its affiliated entities, employees, agents, shareholders, officers or directors be liable to Customer or any third party for any product installations and Customer, contractor, specifier and installer releases Inforesight Consumer Products Inc. from any and all losses, death, personal injury, property damage, other damages, rights, claims, demands and actions of any kind arising from the Customer's installation and use of the product, whether the installation was or was not in accord with the provided instruction manual and/or in compliance with applicable local laws. AURA products are to be installed by licensed technicians per instruction manuals and to all provincial/state and national (N.E.C.) code requirements; specifications subject to change without notice.