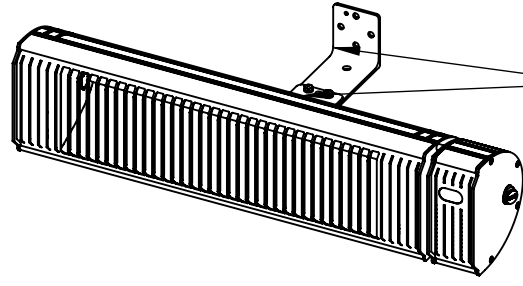
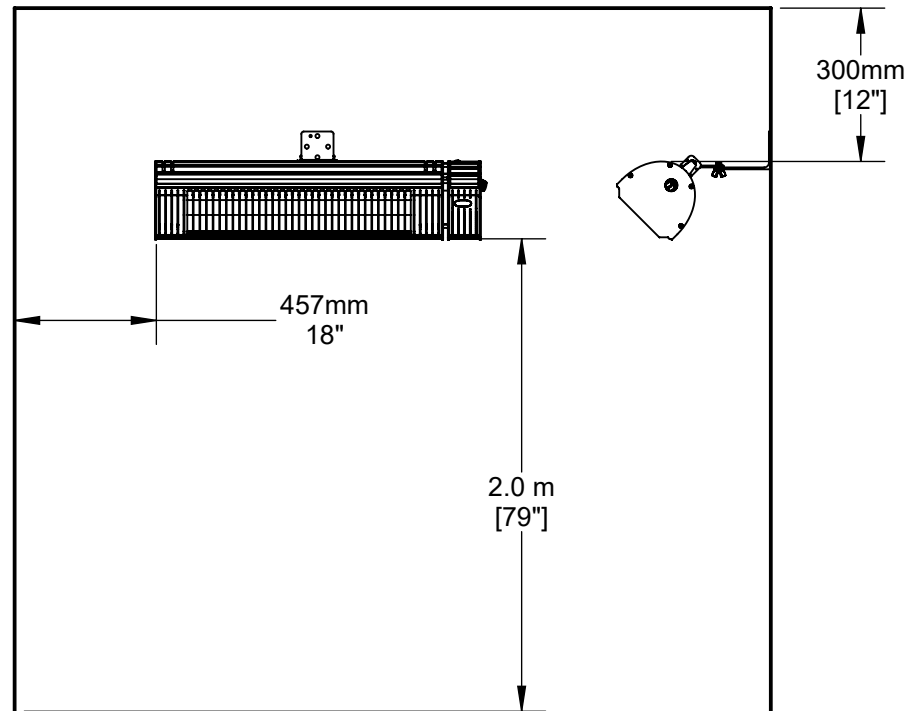


**MINIMUM CLEARANCE REQUIREMENTS**

WALL MOUNTED



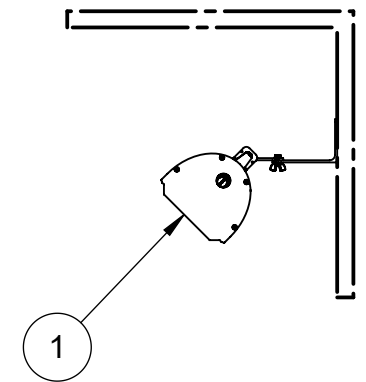
ISOMETRIC VIEW

**INCLUDED PARTS**

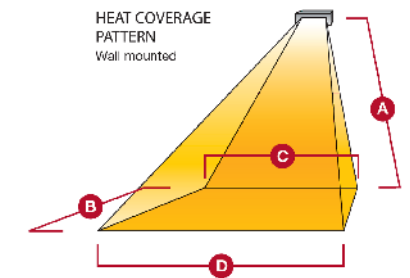
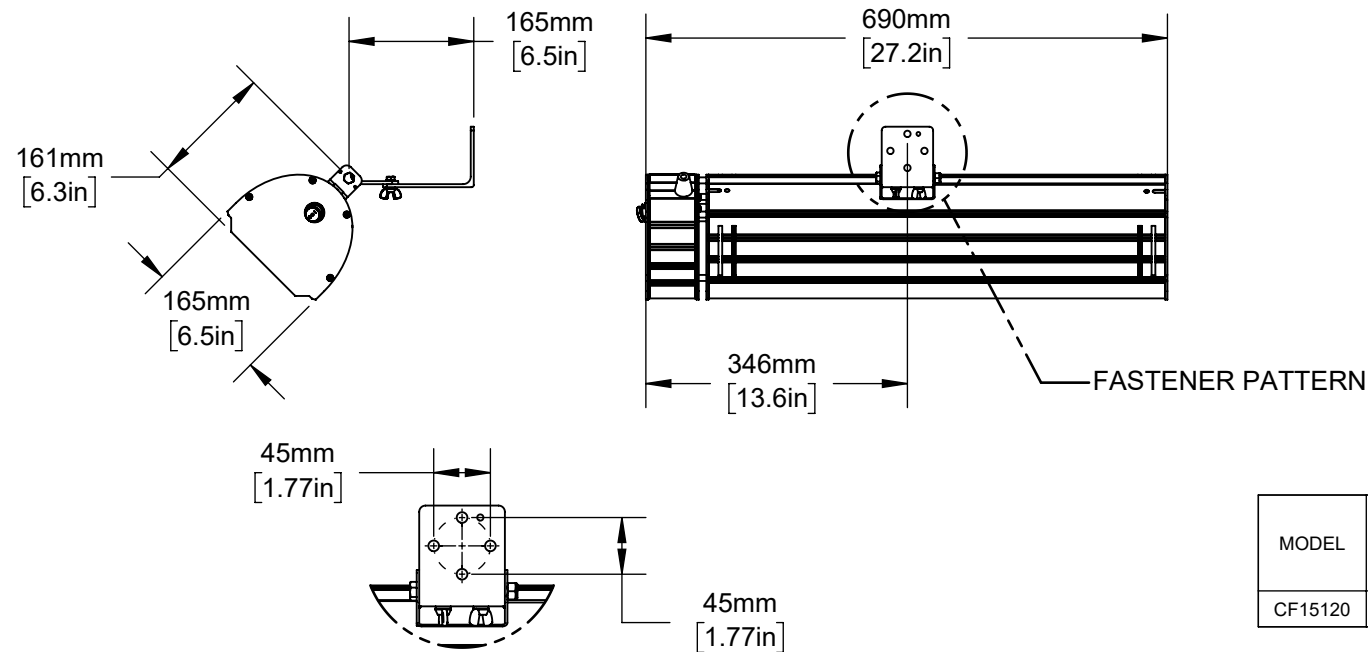
- WALL MOUNT BRACKETS
- BRACKET HARDWARE
- REMOTE CONTROL
- 8' CORD WITH 3 PRONG GROUNDING PLUG

**SUITABLE MOUNTING CONFIGURATIONS**

1. WALL MOUNTED



**OVERALL SIZE AND MOUNTING DIMENSIONS**



MODEL	MOUNTING CONFIGURATION	A (FEET)	B (FEET)	C (FEET)	D (FEET)	HEAT ZONE* (SQUARE FEET)	HEAT DENSITY* (WATTS/ SQUARE FEET)
CF15120	WALL MOUNTED	6'7"	8	8	9	72	21

**⚠ MEDIUM WAVE INFRARED HEATERS FOR:**  
 INDOOR USE - RESIDENTIAL (1500W ONLY\*), COMMERCIAL AND INDUSTRIAL  
 OUTDOOR USE - RESIDENTIAL, COMMERCIAL AND INDUSTRIAL  
 FOR USE IN NON-HAZARDOUS AREAS ONLY  
 HEATERS INCLUDE IP 65 RATING AND ARE APPROVED FOR OUTDOOR USE

FASTENER PATTERN  
SCALE 1 : 6

**\*\*HEATER SPECIFICATIONS**

DESCRIPTION	ITEM/ SKU	WEIGHT (LBS/KG)	120V			
			POWER (WATTS)	HEAT DELIVERED (BTU)	VOLTAGE (VOLTS)	CURRENT (AMPS)
AURA CARBON - 1500W / 120V	CF15120	14.3/6.5	1500	5100	120	12.5



<b>B1</b>	<b>2022-11-07</b>
REVISION	DATE: YYYY-MM-DD



MODEL  
**AURA CF15120**

SHEET NO. 1 OF 1	SHEET SCALE 1:10	SHEET SIZE 11X17
---------------------	---------------------	---------------------

**\*\*SKU NOTES:** ALL HEATERS COME WITH STANDARD 6.5" L BRACKETS, REMOTE CONTROL AND BRACKET HARDWARE | **\*\* SPECIFICATIONS SUBJECT TO CHANGE WITHOUT NOTICE**  
 NOTICE: **THIS DOCUMENT IS NOT A SUBSTITUTE FOR APPROVED MANUAL.** Failure to follow instruction manual may cause fire, electric shock or injury to persons. AURA TM is a registered trademark of Inforesight Consumer Products. Customer, contractor specifier and installer understands that some or all products provided by Inforesight Consumer Products Inc. may not be available for purchase or installation in certain jurisdictions or geographical areas. Inforesight Consumer Products Inc. reserves the right, in its sole discretion, to exclude or otherwise limit the provision of any product to a person or entity residing in any jurisdiction or geographical area outside of Canada. Inforesight Consumer Products Inc. provides general product installation guidelines and procedures and Customer, contractor, specifier and installer understands that Customer, contractor, specifier and installer is solely and exclusively responsible for installation of the product and ascertaining all applicable local municipal, provincial, state, and federal NEC (National Electrical Code) rules, by-law, ordinances and guidelines applicable to the installation of any Inforesight Consumer Products Inc. products. Customer contractor, specifier and installer must strictly adhere to and be compliant with the local rules, laws, ordinances and legal requirements for the safe installation and use of any Inforesight Consumer Products Inc. products. Instruction manuals are included with the product packaging and copies of our instruction manuals are available upon request. Under no circumstances shall Inforesight Consumer Products Inc. or its affiliated entities, employees, agents, shareholders, officers or directors be liable to Customer or any third party for any product installations and Customer, contractor, specifier and installer releases Inforesight Consumer Products Inc. from any and all losses, death, personal injury, property damage, other damages, rights, claims, demands and actions of any kind arising from the Customer's installation and use of the product, whether the installation was or was not in accord with the provided instruction manual and/or in compliance with applicable local laws. Solaira products are to be installed by licensed technicians per instruction manuals and to all provincial/state and national (N.E.C.) code requirements; specifications subject to change without notice.